

MOTORIZED TABLES

SANYA - Natural - #14551 -XX
 - Wenge - #14550-XX

The Sanya is a fully-motorized treatment table that offers value, comfort, and durability. We created an innovative lift system and combined it with an attractive wood base. We are thrilled with the internal steel frame and geometry of the articulating lift arms. Quiet, push-button top and base adjustments, genuine craftsmanship, and convenient storage space are some of the features you're going to appreciate. Discover why this elegantly-engineered table is one of our best sellers.

STANDARD BASE COLORS:



NATURAL WENGE

STANDARD VINYL COLORS:



WHITE ALMOND CAMEL BLACK SLATE PEBBLE



OPTIONS AND ADDITIONS:

End Panel Upgrades-

Small Hot Towel Cabinet Upgrade
 Natural HTC - 14551-EP
 Wenge HTC - 14550-EP

Shelf/Drawer Upgrade
 Shelf/Drawer 990-051

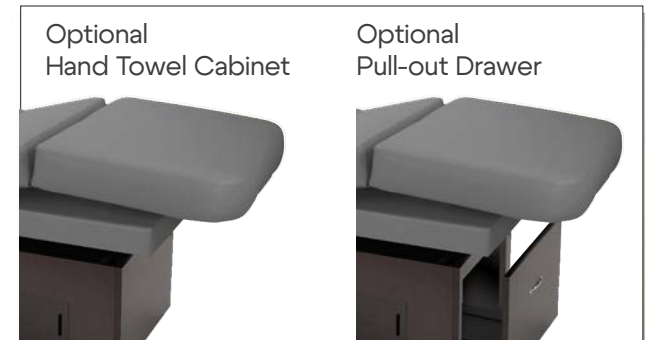
(Includes cost of hot towel Cabinet)



Internal scissor lift offers 4 point stability, storage space, and an easy-to-maintain single warm gear actuator.



Sliding Cabinet doors provide quiet and easy to access storage.



Optional Hand Towel Cabinet

Optional Pull-out Drawer

Optional End Panel Upgrade Available Recessed Hot Towel Cabinet Or Pull-out Drawer.

TOP:
 Top design Four-piece adjustable top with round corners, three-layer foam, 3/4" plywood
 Standard size top 30" x 73"
 Foam 2" firm bottom layer + 1- 3/4" medium-density layer of urethane polymer
 Polyester batting 1/2" fluffy polyester Dacron top layer
 Frame 3/4" plywood frame reinforced for armrests and face cradle
 Adjustments Easy motorized adjustments of torso, knee, and upper body sections
 Back tilt angle 0 to 60°
 Knee tilt angle 0 to 30°

BASE & FRAME:
 Carbon steel base Wood veneer cabinet with Wenge finish.

Height range - standard 24.5" - 34.5" (infinite motorized adjustment)
 Lifting weight Lifting weight capacity 375 lbs.
 Capacity Static weight capacity 800 lbs.

MOTORS & CONTROLS:
 Main lift mechanism One 24v DC, 5 amp max motor/actuator, UL recognized (powered through the same transformer as the top actuators)
 Top lift mechanism Two 24v DC, 5 amp max motor/actuators, powered through a 110v, 5 amp transformer (motors and transformer are UL recognized)
 Controls Hand control

VINYL:
 Ultra-Soft Touch Lightly textured, super-soft PU vinyl, fabric backed
 Vinyl colors White, Almond, Camel, Black, Pebble or Slate vinyl

OPTIONAL ACCESSORIES:
 Sidearms Flex Armrests
 Face support Contour FaceSpace
 Foot extension Salon Footrest or Full Footrest
 Neck bolster Facial Neck Bolster

GUARANTEES:
 Structure 10 yrs. on replacement parts for frame/structure and 1 yr. on labor**
 Motor & controls 2 yrs. on materials
 Vinyl & foam 2 yrs. on materials
 **Labor warranty for USA customers only

WEIGHTS:
 Table weight 270 lbs.
 Shipping weight - boxed 375 lbs.
 Shipping dimensions 83"L x 39"W x 37"H

