

MOTORIZED TABLES



OPTIONS AND ADDONS -

Casters #41035
Battery Option:



HiLo Face & Body features an electric-lift base, operated by foot pedal, and a two-piece top with manual-lift back section.

HiLo - #112XO-XX

The ever-popular **HiLo** offers an impressive height range of 19" - 34" and is ADA-compliant. Its substantial base of support makes it suitable for massage and many other treatments. HiLo Face & Body features an electric-lift base, operated by foot pedal, and a two piece top w/ manual-lift back section. MultiPro version has an electric-lift base, operated by foot pedal, and manually-adjustable back & knee sections. HiLo PowerTilt is fully motorized and all adjustments are made with hand control.

STANDARD BASE COLORS:



WHITE POWDER COAT

STANDARD VINYL COLORS:



WHITE



ALMOND



CAMEL



BLACK



SLATE



PEBBLE



Durable frame creates a sturdy, strong working surface for any bodywork modality

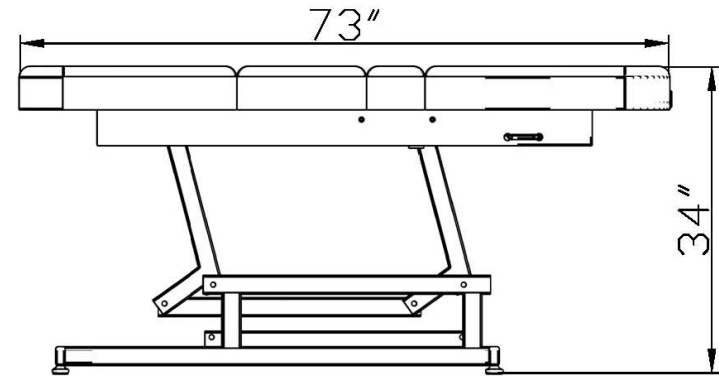


Optional battery pack eliminates the need for a cord. Paired with casters, this table can be mobile.

TOP:

Top design
Standard size top
Foam
Polyester batting
Frame
Adjustments
Back tilt angle
Knee tilt angle

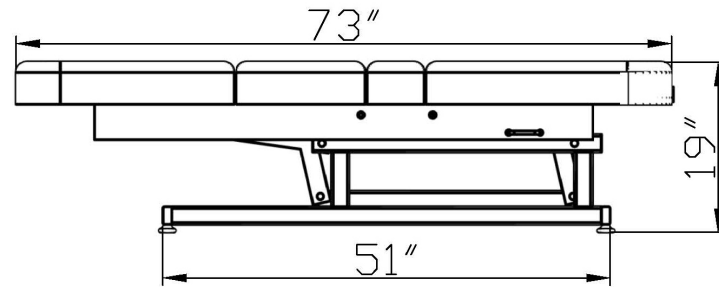
Four-piece adjustable top on PowerTilt and MultiPro; two-piece on Face & Body
30" x 73"
2" firm bottom layer + 1- 3/4" medium-density layer of urethane polymer
1/2" fluffy polyester Dacron top layer
3/4" plywood frame reinforced for armrests and face cradle
Easy motorized adjustments of torso, knee, and upper body sections
0 to 60°
0 to 30°



BASE & FRAME:

Carbon steel base
8" leg recess
Height range - standard
Weight capacity

White powder coat finish with anodized aluminum center pedestal
10" recess from ends of table
19" - 34" (infinite motorized adjustment)
Lifting weight capacity 375 lbs.
Static weight capacity 800 lbs.



MOTORS & CONTROLS:

PowerTilt motors

Main lift mechanism

Controls

One 24v DC, 5 amp max motor/actuator, UL recognized (powered through the same transformer as the top actuators)
Two 24v DC, 5 amp max motor/actuators, powered through a 110v, 5 amp transformer (motors and transformer are UL recognized)
Hand control on PowerTilt; foot pedal on MultiPro and Face & Body

VINYL:

UltraSoft-Touch - standard
Vinyl color choices

Lightly textured, super-soft PU vinyl, fabric backed
Almond, Camel, Black or White vinyl

OPTIONAL ACCESSORIES:

Armrests
Face support
Foot extension
Neck bolster

Flex Armrests
Contour FaceSpace
Salon Footrest or Full Footrest
Facial Neck Bolster

GUARANTEES:

Structure

Motor & controls
Vinyl & foam

10 yrs. on replacement parts for frame/structure and 1 yr. on labor**
2 yrs. on materials
2 yrs. on materials
**Labor warranty for USA customers only

WEIGHTS:

Table weight
Shipping weight - boxed
Shipping dimensions

210 lbs.
275 lbs.
83"L x 39"W x 37"H

